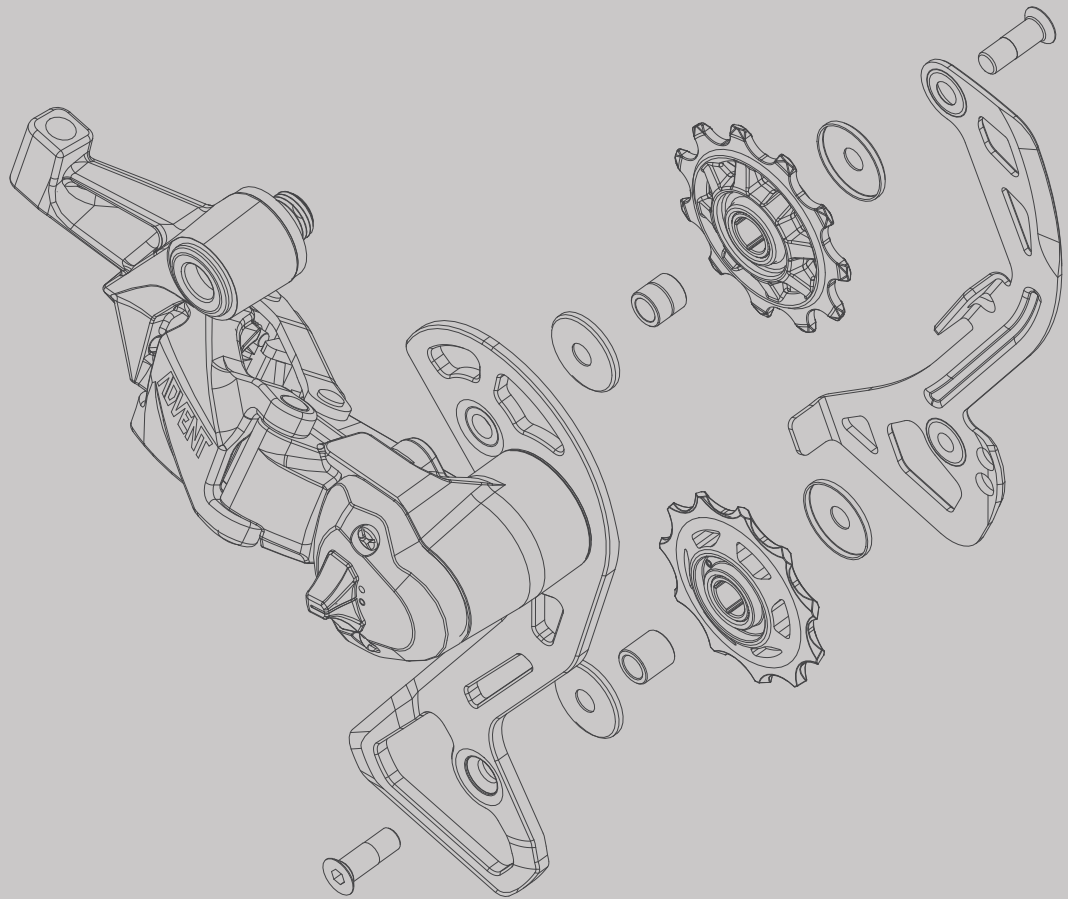


# microSHIFT

## ADVENT Rear Derailleur Parts

ADVENT

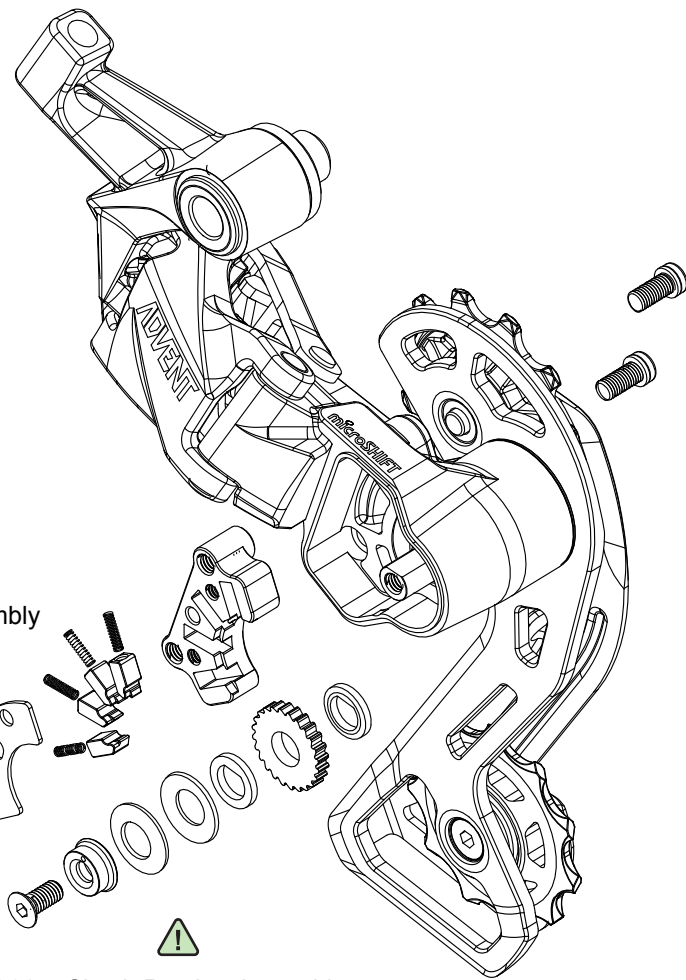
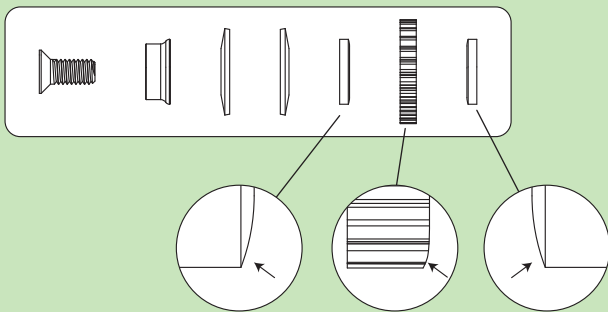


# Exploded Diagram & Service Parts

Clutch



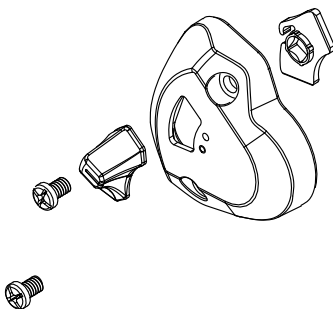
Follow installation order and orientation.



Y-RD302: Clutch Pawl Assembly

Y-RD303: Clutch Cover

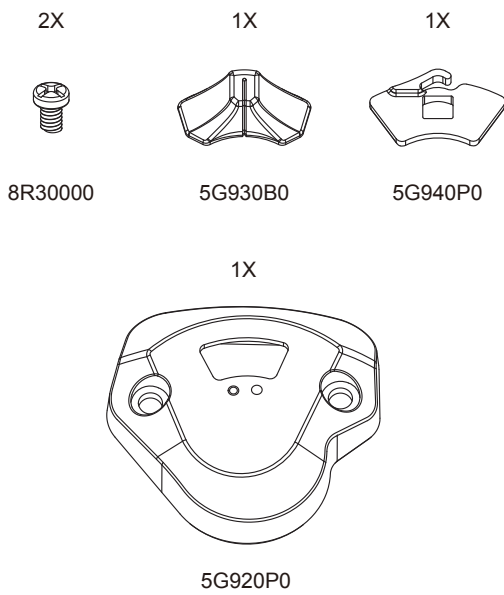
Y-RD304: Clutch Ratchet Assembly



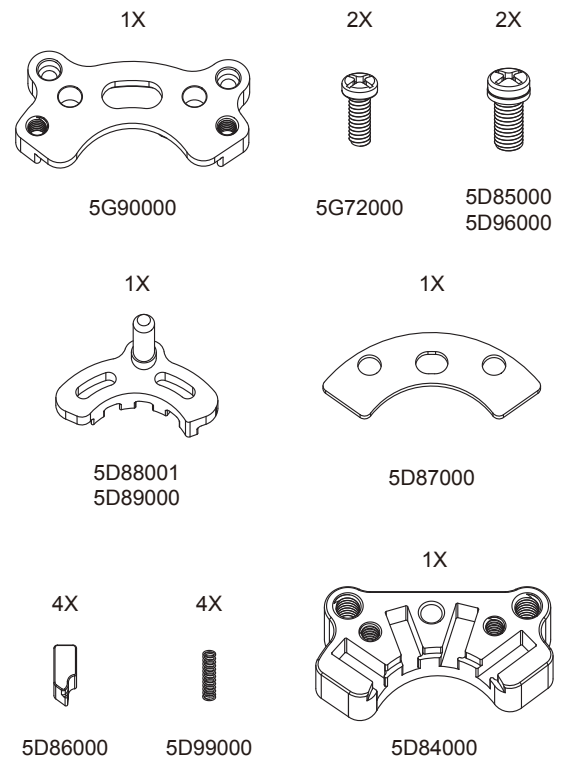
# Exploded Diagram & Service Parts

Clutch

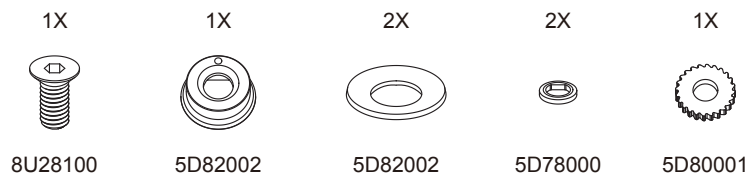
## Y-RD303: Clutch Cover



## Y-RD302: Clutch Pawl Assembly

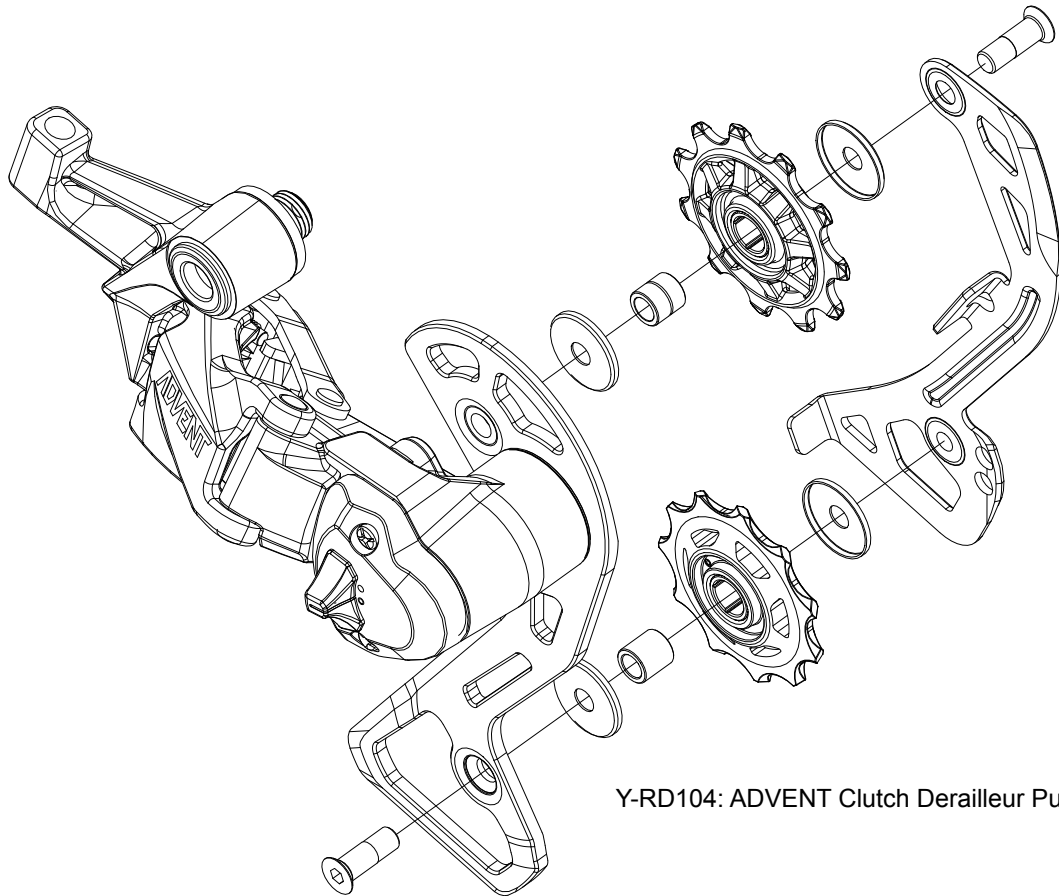


## Y-RD304: Clutch Ratchet Assembly



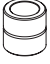
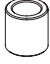
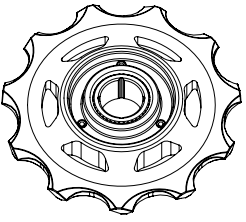
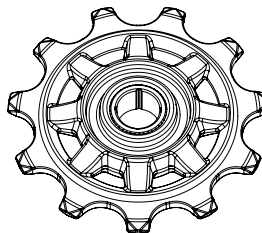
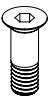
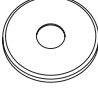
# Exploded Diagram & Service Parts

Pulley



Y-RD104: ADVENT Clutch Derailleur Pulley Kit

## Y-RD104: ADVENT Clutch Derailleur Pulley Kit

1X	1X	1X	1X
			
5S670003D0	5B670003D0	5D20A011E0	5D190001E0
2X	4X		
			
5B16402WD0	5A181S01A0		

# microSHIFT

---

[www.microSHIFT.com](http://www.microSHIFT.com)

**International**  
[service-tw@microSHIFT.com](mailto:service-tw@microSHIFT.com)

**North America**  
[service@microSHIFT.com](mailto:service@microSHIFT.com)